

For Security

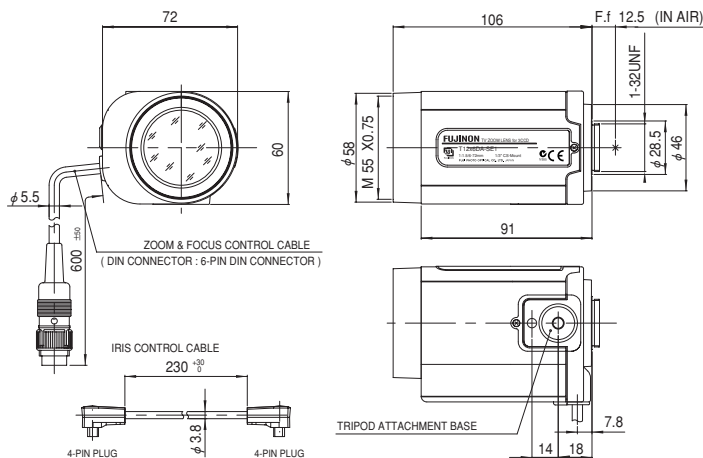
1/3" ZOOM Electric Zoom Auto Iris DC Type

FUJINON CCTV LENS

Y12X6A-SE2



※Photograph is a similar model.



Unit : mm

| Model | | Y12 × 6A-SE2 | |
|---|-------|---|-----------------|
| Focal Length | | 6mm ~ 72mm (12x) | |
| Iris Range | | F1.5 ~ T400 (Equivalent to F400) | |
| Operation | Iris | Auto (DC Type) (*1) | |
| | Focus | Motor Drive | |
| | Zoom | Motor Drive | |
| Angle Of View (H × V) | 1/3" | Wide | 43°36' × 33°24' |
| | | Tele | 3°49' × 2°52' |
| | 1/4" | Wide | 33°24' × 25°22' |
| | | Tele | 2°52' × 2°09' |
| Focusing Range (From Front Of The Lens) | | ∞ ~ 1.3m | |
| Object Dimensions at M.O.D. (H × V) | 1/3" | Wide | 1003mm × 753mm |
| | | Tele | 84mm × 63mm |
| | 1/4" | Wide | 752mm × 565mm |
| | | Tele | 63mm × 47mm |
| Back Focal Distance (in air) | | 11.69mm | |
| Exit Pupil Position (From Image Plane) | | -6028mm | |
| Filter Thread | | M55 × 0.75mm | |
| Mount | | CS Mount | |
| Mass | | 330g | |
| Coil Resistance | | Drive Coil | 180Ω |
| | | Damping Coil | 720Ω |
| Current Consumption | | 24mA (Max.) at 4V DC | |
| Standard Accessories | | Iris Control Cable Conversion Cable (6-pin→4-pin) Connection Connector (4-pin, 6-pin) | |
| Remarks | | • With Metal Mount (*1) When power is turned off, iris will automatically | |

Wiring

Control Mode

| Controller output | 6V | ±6V | 12V | ±12V |
|------------------------|---------------|-----------|---------------|-----------|
| Select switch position | 6V/IND. | 6V/COM. | 12V/IND. | 12V/COM. |
| Conversion cable | Not necessary | Necessary | Not necessary | Necessary |

The switches have been set at 12V and IND respectively as shown left, at the factory.

Example: ±6V control (Connection of conversion cable is required.)

Accessories

| | Model | Focusing Range | Camera plmage Size Range | Object Dimensions | | | | |
|-----------------|---------------------------------|----------------|--------------------------|------------------------|------------------|---------------------------------|--------------------------------|-------|
| | | | | TELE | WIDE | | | |
| Close-up Lens | CL3355 (M55X0.75mm, fc=333mm) | 333mm~250mm | 1/3" | 17mmX13mm | 203mmX152mm | | | |
| | | | 1/4" | 13mmX10mm | 152mmX114mm | | | |
| | CL10055 (M55X0.75mm, fc=1100mm) | 1000mm~500mm | 1/3" | 37mmX27mm | 436mmX327mm | | | |
| | | | 1/4" | 27mmX21mm | 327mmX245mm | | | |
| Control Box | Model | Output Voltage | Operation | Maximum Output Current | Output Connector | Power Source | Power Consumption (at 100V AC) | Mass |
| | CRD-1A | 6V DC/12V DC | Zoom, Focus | 0.2A | Mab 6100 | 100V/120V/220V/240V AC, 50/60Hz | 15W | 2.1kg |
| | CRD-1B | ±6V DC/±12V DC | Zoom, Focus | 0.2A | Mab 4100 | 100V/120V/220V/240V AC, 50/60Hz | 15W | 2.1kg |
| Power Cord | Japan | U.S.A./Canada | Continental Europe | Australia | Without AC Plug | | | |
| | PCA-1 | PCA-2 | PCA-3 | PCA-4 | PCA-5 | | | |
| Extension Cable | 10m | CRD-1A | CEC-AA102-11 | | CRD-1B | CEC-AB102-11 | | |
| | 20m | | CEC-AA202-11 | | | CEC-AB202-11 | | |